

PHD 外侧下拉卡盘

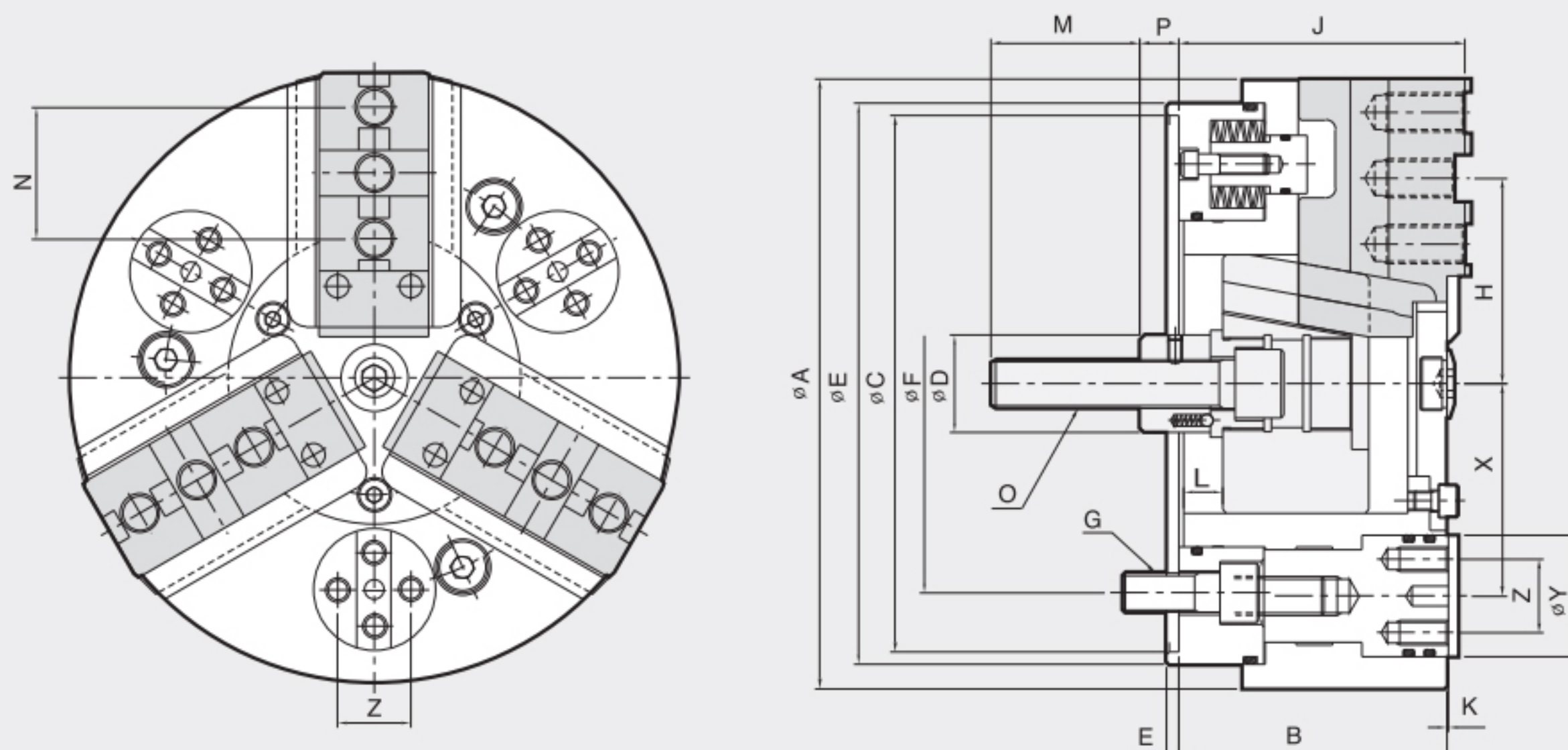
Outside Pull-Down Chuck

- Ideal for clamping workpieces with small gripping surfaces
- Sliding jaws clamp the component; then, the enhance chuck body pulls down to location for accurate machining

- 能抓取加工件夹紧·适用于直角度和平行度重要的产品
- 只能夹持外径·夹持幅小的加工件也适用



SPECIAL CHUCK



Dimensions

	ΦA	B	ΦC(h7)	ΦD	ΦE	ΦF	G	Hmax.	Hmin.	J	K	Lmax.	Lmin.	M	N	O	Pmax.	Pmin.	X	ΦY	Z
PHD-200	200	105	170	40	5	133.4	M12	71.5	67.3	107	1	34	10	52	44.5	M20	25	1	70	42	24
PHD-250	250	115	220	40	5	171.4	M16	87	81.7	117	1	34	4	60	54	M20	31	1	87	50	30
PHD-300	300	123	220	50	5	171.4	M16	105	99	125	1	34	5	60	63.5	M24	30	-4	108	68	40
PHD-380	380	135	300	50	5	235	M20	133.5	127.5	137	1	34	16	60	76.2	M24	19	-15	130	80	54

Specifications

Type	Max. Clamping Force 夹紧力 [kgf]	Max. Drawbar Pull 拉杆最大拉力 [kgf]	Jaw Stroke Dia. 卡爪行程 Dia. [mm]	Plunger Stroke 拉栓行程 [mm]	Stop Traction 停止牵引 [kgf]	Max. Speed 最高转速 [r.p.m.]	Weight 重量 [kg]
PHD-200	8100	3000	8.5	24	200	3500	21
PHD-250	11000	4000	10.5	30	300	3000	37
PHD-300	13500	5000	12.0	34	300	2500	54
PHD-380	16500	6000	12.0	34	450	200	95