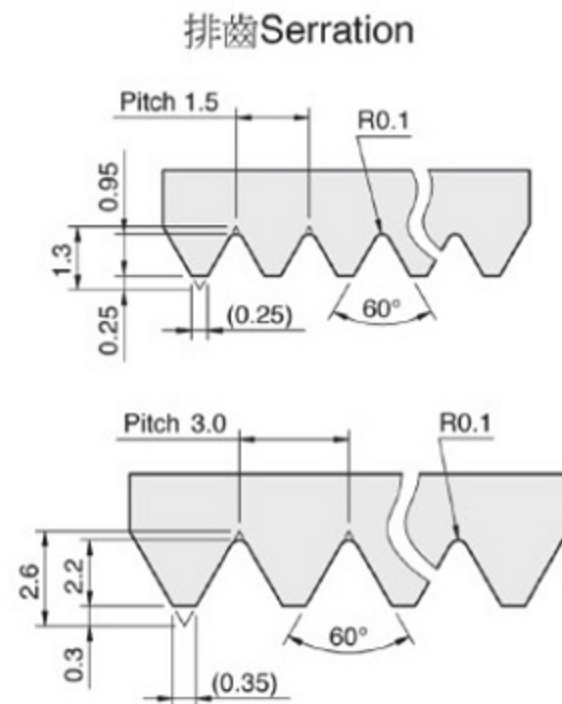
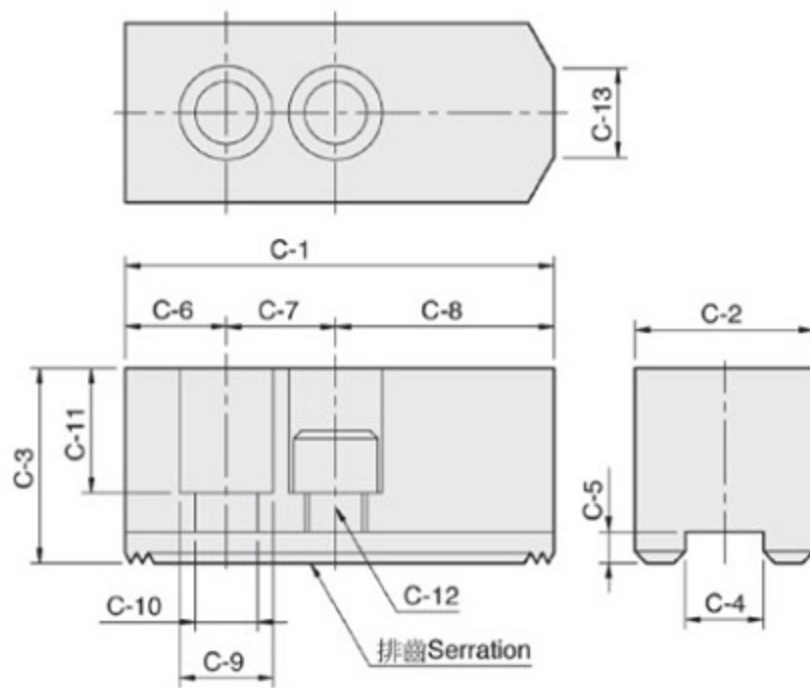


# HC

## 油壓夾頭生爪

Soft jaw for hydraulic power chuck

1. 油壓夾頭用生爪。
2. CNC車床用生爪。



單位：mm

型式 尺寸	C-1	C-2	C-3	C-4	C-5	C-6	C-7	C-8	C-9	C-10	C-11	C-12	C-13	排齒 節距	適合夾頭	三爪重量 (kg)
HC04	53	23	23	10	5	9	14	30	14	9	14	M8	3	1.5x60°	N-204	0.45
HC05	62	25	30	10	5	9	14	39	14	9	21	M8	5	1.5x60°	N-205	0.7
HC06	73	31	36	12	5	15	20	38	17	11	21	M10	14	1.5x60°	N-206, NB-306, V-206	1.5
HC08	95	35	37	14	5	24	25	46	19	13	22	M12	16	1.5x60°	N-208, NB-208, V-208	2.4
HC10	110	40	42	16	5	30	30	50	19	13	27	M12	18	1.5x60°	N-210, NB-210, V-210	3.7
HC12	130	50	50	21	5	39	30	61	25	17	33	M16	23	1.5x60°	N-212, NB-212	6.5
HC15	165	62	62	22	8	37	43	85	32	21	38	M20	—	1.5x60°	N-215, N-218, NB-215, NB-218	12.5
HC08-1	95	35	37	12	5	24	20	51	17	11	21	M10	14	1.5x60°	NHT-208	2.4
HC12-1	130	50	50	18	5	39	30	61	23	15	30	M14	23	1.5x60°	V-212, V-212R	6.6
HC15-1	165	62	62	25.5	5	37	43	85	32	21	38	M20	—	1.5x60°	V-215, V-218, V-215R, V-218R	12.5
HC24-1	180	64	70	25	9	40	60	80	32	21	45	M20	—	3.0x60°	N-220, N-224, V-221, V-224 V-221R, V-224R	15.8
HC32-1	210	74	90	25	9	40	80	90	32	21	65	M20	—	3.0x60°	V-232	29.2