

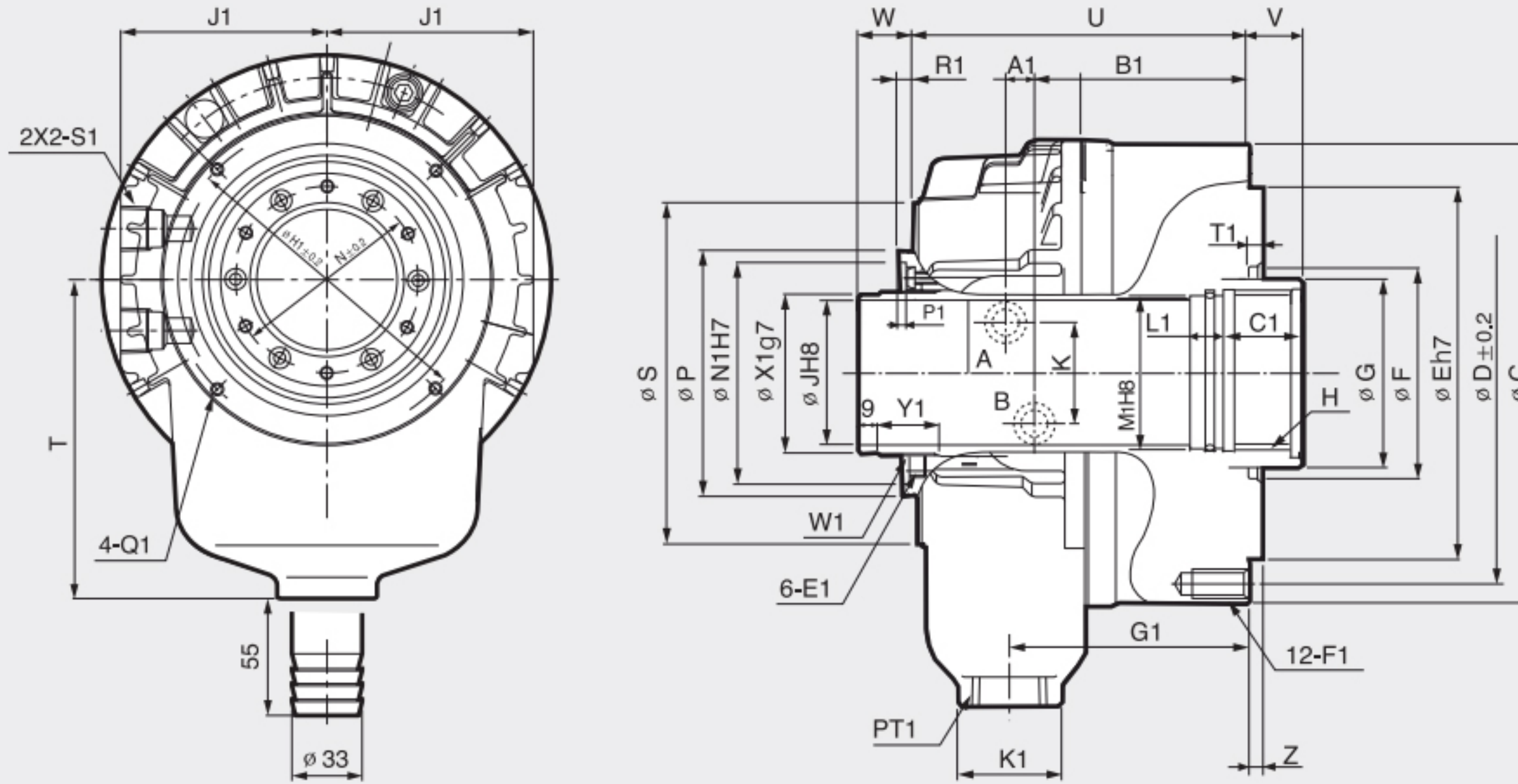
SH 短体开心式液压缸

Standard Mega-Bore Short-Body Open-Center Hydraulic Cylinder



- Mega-Bore Short-body high-speed open-centered hydraulic cylinder with built-in lock and relief valves
- 短体高速开心式液压缸·带内置锁紧和泄放阀

HYDRAULIC CYLINDER



Dimensions

	ΦC	ΦD	ΦE	ΦF	ΦG	Hmax.	ΦJ	K	N	ΦP	ΦS	T	U	Vmax.	Vmin.	Wmax.	Wmin.	Z	A1	B1
SH-10036	135	115	100	65	48	M42x1.5	36	30	55	73	104	115	130	15	3	37	25	5	9	90
SH-13046	165	130	100	80	65	M52x2.0	46	40	64	85	116	120	142	15	0	40	25	5	8.5	103
SH-15052	190	170	130	85	70	M60x2.0	52	40	73	96	135	130	138	22	0	47	25	5	9	97.5
SH-17068	210	190	160	120	85	M75x2.0	68	48	88	111	154	150	155	25	0	50	25	5	10	108
SH-18077	218	190	160	120	95	M85x2.0	77	48	98	121	164	165	167	25	0	50	25	5	10	119.5
SH-19082	223	190	160	120	100	M90x2.0	82	58	103	126	175	166	174	25	0	44	19	5	11.5	122
SH-21010	263	225	200	160	125	M115x2.0	106	48	142	157.8	205	195	199.7	30	0	55	25	5	14	136.5
SH-25011	310	275	230	166	140	M130x2.0	117.5	46	138	170	230	107.5	231	18	-5	48	25	6	19	150

	C1	E1	F1DP'	G1	H1	J1	K1	L1	ΦM1	ΦN1	P1	Q1	R1	S1	T1	W1	ΦX1	Y1
SH-10036	25	M5	M10x17	93.5	96	73	47	15	38	64	4	M5x7	5	PT 1/2	6	M44x1.5	42	30
SH-13046	30	M6	M10x20	111	105	82	47	15	48	76	4	M5x6	6	PT 1/2	6	M52x1.5	50	24
SH-15052	30	M6	M10x20	101	118	92	47	15	55	85	4	M6x7	7	PT 1/2	5	M58x1.5	56	20
SH-17068	35	M6	M10x20	113	96	97	47	15	70	100	4	M6x10	7	PT 1/2	5	M74x1.5	72.5	26
SH-18077	35	M6	M10x20	125	155	102	47	15	80	108	4	M6x10	7	PT 1/2	5	M84x2.0	81	26
SH-19082	35	M6	M12x20	129.5	160	105	47	15	85	113	4	M6x10	7	PT 1/2	6	M89x2.0	86	26
SH-21010	35	M6	M12x20	151	190	120	47	15	110	128	4	M6x10	7	PT 1/2	6	M119x2.0	116	38
SH-25011	45	M6	M16x32	163.5	206	140	55	20	123	150	5.5	M6x12	7.5	PT 1/2	6	M124x2.0	122	29

Specifications

Type	Available I.D.	Cylinder Dia.	Piston Stroke	Piston Force		Max. Operating Pressure	Max. r.p.m.	GD ²	Weight	Total Leakage
	可用内径	缸径	活塞行程	活塞力		最大工作压力	最大转速	容许工作惯性	重量	总泄露
	[mm]	[mm]	[mm]	Push [kN(kgf)]	Pull [kN(kgf)]	[MPa(kgf/cm ²)]	[min ⁻¹ (r.p.m.)]	[N·m ² (kgf·m ²)]	[kg]	[l(min)]
SH-10036	36	105	12	25(2549)	24(2447)	4.0 (40.8)	8000	0.43(0.044)	8.4	3.0
SH-13046	46	135	15	42.3 (4285)	38.1 (3865)	4.0 (40.8)	7000	0.2 (0.021)	10	3.0
SH-15052	52	156	22	60 (6118)	56 (5710)	4.0 (40.8)	6200	0.44 (0.045)	14	3.9
SH-17068	68	170	25	63 (6531)	59.8 (6060)	4.0 (40.8)	5600	0.65 (0.067)	16.5	4.0
SH-18077	77	185	25	75.3 (7632)	69.6 (7087)	4.0 (40.8)	5000	0.83 (0.084)	18	4.2
SH-19082	82	185	25	76 (7715)	70 (7156)	4.0 (40.8)	4800	0.95 (0.097)	25	4.5
SH-21091	91	210	30	98(10006)	92(9373)	4.0 (40.8)	3800	1.28(0.13)	28	4.2
SH-21010	106	215	30	91.8(9357)	87.8(8952)	4.0 (40.8)	3500	1.84(0.188)	37	6.0
SH-25011	117.5	255	23	132 (13390)	121 (12305)	4.0 (40.8)	3000	1.9 (0.193)	50	7.0

※ Maximum turning speed is based upon actual measurement.
 ※ Specifications are subject to change without notice.

※ 技术规格若发生改变,恕不另行通知。
 ※ 最大转速基于实际测量。