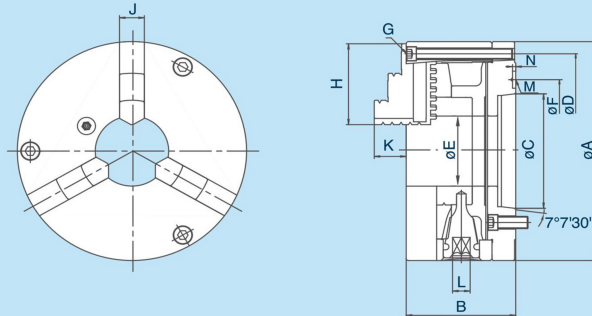


SC-A2 3-JAW A2 TYPE SCROLL CHUCKS (MOUNTING PLATES)

直裝三爪普通A2型卡盤+連結盤

尺寸圖 » Dimensions



規格表 » Specifications

單位/UNIT:mm

型式/規格 MODEL /SPEC.	A	B	C	D	E	F	G	H	J
SC200A26	203	97	106.375	180	65	133.4	6-M12	75	22
SC250A26	254	109	106.375	226	81	133.4	6-M12	92	26
SC250A28	254	109	139.719	226	81	171.4	6-M16	92	26
SC315A28	315	125	139.719	285	105	171.4	6-M16	118	30
SC315A211	315	125	196.869	285	105	235	6-M20	118	30
SC400A28	405	152	139.719	368	160	171.4	6-M16	146	40
SC400A211	405	152	196.869	368	160	235	6-M20	146	40
型式/規格 MODEL /SPEC.	K	L	M	N	最高迴轉速 Max.Speed r.p.m.(min ⁻¹)	把握範圍 Max. Gripping Diameter 外徑把握 O.D.Clamping 內徑把握 I.D.Clamping		淨重 Weight (kg)	
SC200A26	28	11	19.5	6.5	2000	ø4-ø200	ø65-ø200	18	
SC250A26	34	12	19.5	6.5	1800	ø6-ø250	ø80-ø250	34	
SC250A28	34	12	24.2	8	1800	ø6-ø250	ø80-ø250	34	
SC315A28	45	14	24.2	8	1800	ø10-ø315	ø95-ø315	63	
SC315A211	45	14	29.4	10	1800	ø10-ø315	ø95-ø315	63	
SC400A28	56	15	24.2	8	1500	ø15-ø400	ø120-ø400	83	
SC400A211	56	15	29.4	10	1500	ø15-ø400	ø120-ø400	82	